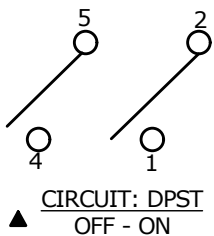
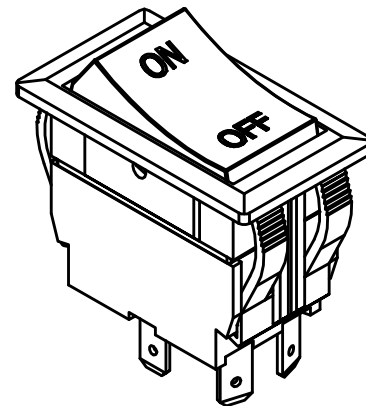
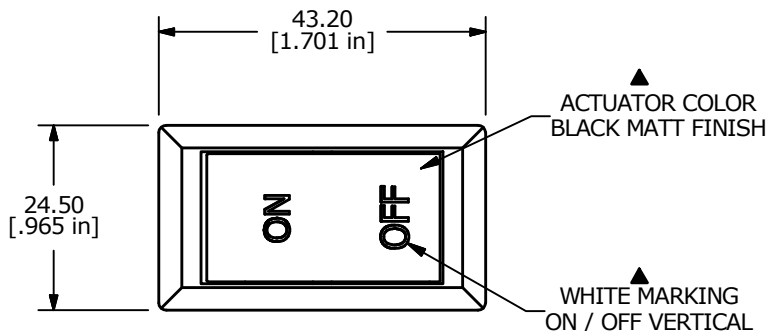
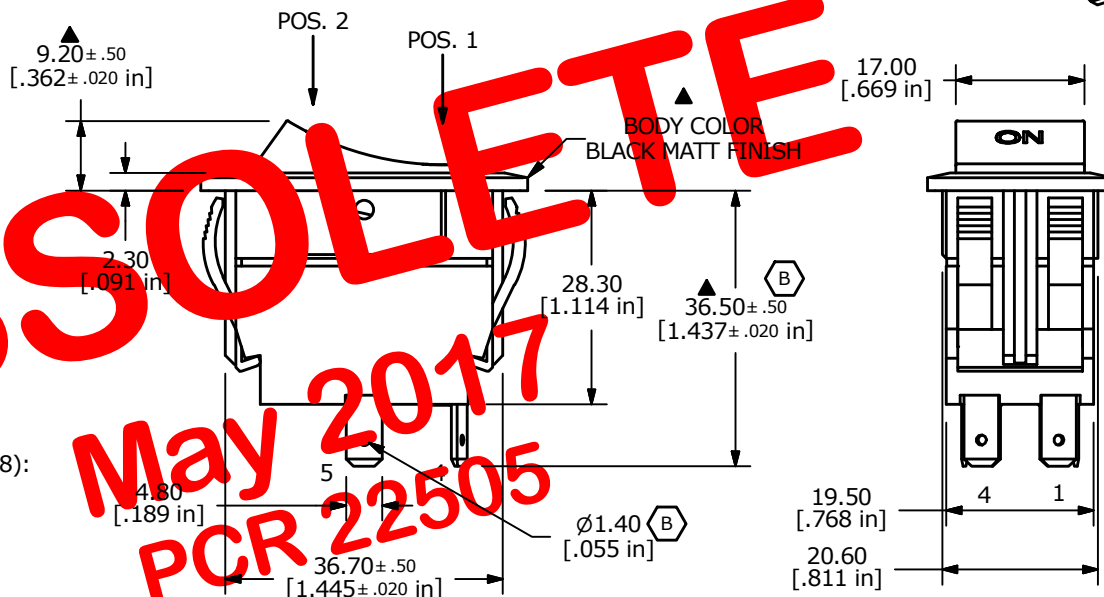


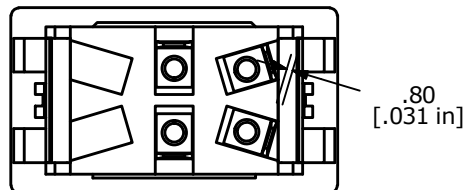
SUGGESTED PANNEL CUTOUT
MAX PANEL THICKNESS 6.0mm



SWITCH FUNCTION	
POS. 2	POS. 1
ON	OFF
2-1, 5-4	OPEN



- NOTES:
1. ALL DIMENSIONS IN MM [INCH]
 2. GENERAL TOLERANCE: X.X=± 0.4
X.XX=± 0.25
 - ▲ 3. RATINGS: ANSI/UL 508 AND CAN/CSA C22.2 NO.14 (E195908):
20A, 125VAC [cURus]
15A, 277VAC [cURus]
2HP, 110/250VAC [cURus]
 4. CONTACT RESISTANCE: 50 mΩ MAX. @ 50VAC
 5. INSULATION RESISTANCE: 800 MΩ MIN. @ 500VDC
 6. OPERATING TEMPERATURE: -20°C TO +65°C [cURus, CSA]
-20°C TO +125°C [VDE]
 7. ELECTRICAL LIFE: 6,000 [cURus]
 8. DIELECTRIC STRENGTH: 1,500V FOR 1 MINUTE
 9. OPERATING TEMPERATURE: -20°C TO 55°C [cURus]
 - ▲ 10. INGRESS PROTECTION: IP54
 11. ▲ DENOTES CRITICAL PARAMETER
 12. 2002/95/EC (RoHS) COMPLIANT.



OBSOLETE

May 2017

PCR 22505



B	20444	CORRECTIONS NOTED WITH REV BALLOON	1/31/12	BGL
A	20431	RELEASE FOR PRODUCTION	1/27/12	BGL
REV	PCR NO	DESCRIPTION	DATE	BY

TITLE RVW12D1123				
SCALE 1:1	DATE 1/27/2012	DR BGL	DWG 34-RVW12D1123	REV B

THE INFORMATION CONTAINED IN THIS DOCUMENT IS PROPRIETARY TO E-SWITCH AND IS NOT TO BE COPIED OR TRANSFERRED